

Description



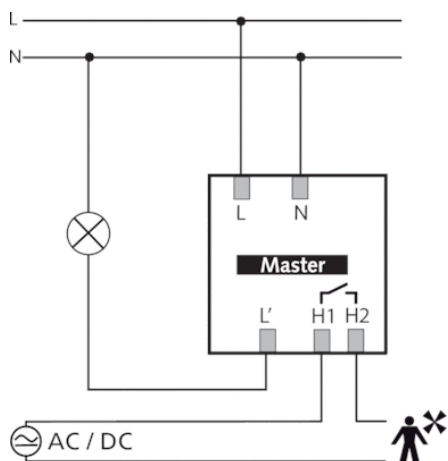
- Passive infra-red presence detector for ceiling installation
- Circular detection area 360°, up to Ø 9 m (64 m²)
- Automatic motion and brightness-dependent control for lighting and HVAC
- Mixed light measurement suitable for fluorescent lamps (FL/PL/ESL), halogen/incandescent lamps and LEDs
- Channel A light: relay, 230 V
- Operation as fully automatic device
- Brightness switching value configurable, teach-in function
- Pulse function for staircase light time switch
- Channel H, presence: relay, floating e.g. for HVAC control
- Time delay configurable
- Detection sensitivity configurable
- Test mode for checking function and detection area
- Ready for immediate use due to factory presetting (Brightness switching value 300 lux, Time delay 10 min.)
- One of these optional remote controls is required for changing the values and attitudes:
 - Management remote control SendoPro
 - Installation remote control theSenda P
 - Optional user remote control: theSenda S

Technical data

Operating voltage	230 V AC
Frequency	50 Hz
Installation height	2 – 4 m
Minimum height	> 1,7 m
Installation type	Ceiling mounting
Colour	White
Switching output	Light Presence
Light measurement	Mixed light measurement
Setting range brightness	30 – 3000 lx
Light switch-off delay	10 s - 60 min
Lamps	Incandescent/halogen lamps, fluorescent lamps, Energy saving lamps, LEDs
Incandescent/halogen lamp load	2300 W
Inrush current	max. 400 A / 200 µs
LED lamp < 2 W	25 W
LED lamp 2-8 W	70 W
LED lamp > 8 W	80 W
Type of connection	Screw terminals
Max. cable cross section	max. 2 x 2,5 mm ²
Size of concealed housing	Ø 55 mm (NIS, PMI)
Detection range	50 m ² (Ø 8 m 360°)
Ambient temperature	-15 °C ... +50 °C
Type of protection	IP 54 (when fitted)

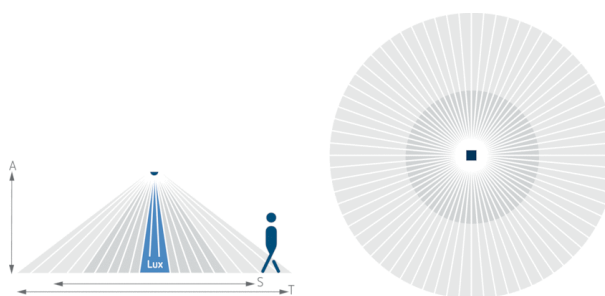
Article number: 2080565

Connection example

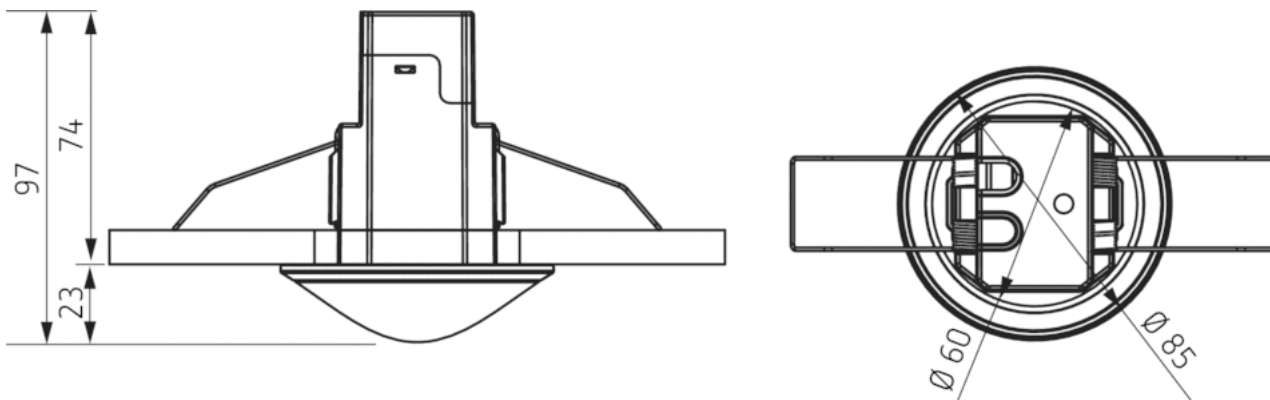


Detection range

Mounting height (A)	Sitting (S)	Walking (T)
2 m	5 m ² 2,5 m	38 m ² 7 m
2,5 m	7 m ² 3 m	38 m ² 7 m
3 m	13 m ² 4 m	50 m ² 8 m
3,5 m	–	50 m ² 8 m
4 m	–	64 m ² 9 m



Scale drawings



Accessories

SendoPro 868-A

- Article number: 9070675
Details ▶ www.theben.de



theSenda P

- Article number: 9070910
Details ▶ www.theben.de



theSenda S

- Article number: 9070911
Details ▶ www.theben.de



Article number: 2080565

Product selection

Installation type	Channel	Operating voltage	Colour	Type	Article number
Ceiling mounting	Light Presence	230 V AC	White	theRonda S360-101 DE WH	2080565
Ceiling mounting	Light Presence	230 V AC	Grey	theRonda S360-101 DE GR	2080566