

LUNA 121 top3 RC EL

Item no.: 1210230

Time and light control Twilight switches

Description

- Twilight switch with integrated weekly timer
- External light sensor included in delivery
- 1 channel
- External input
- Time synchronisation option via connection of an external DCF or GPS antenna
- 3 special programs (small annual program)
- 84 memory locations
- Programming by app possible
- Safe transfer via optional Bluetooth Low Energy OBELISK top3
- Maximum manipulation security, time switch programs can only be transferred from the app to the device when the Bluetooth OBELISK top3 is plugged into the device
- Switching brightness digitally adjustable
- Adjustable On and Off switching delay
- Switching brightness and switching delay can be set separately for switching On and Off
- Onscreen display of channel and switching status as well as current lux value
- DuoFix spring terminals
- Zero-cross switching for relay-saving switching and high lamp loads
- Up to 4 sensors can be attached
- Up to 10 devices can be connected to a digital sensor
- Interface for OBELISK top2 memory card (PC programming)
- Extended brightness range
- Permanent switching ON/OFF
- Test function
- Switching preselection
- Display back light (can be turned off)
- PIN coding
- Operating hour counter



Technical data

LUNA 121 top3 RC EL	
Operating voltage	110 – 230 V AC
Frequency	50 – 60 Hz
Number of channels	1
Number of memory locations	84
External inputs	1
Stand-by consumption	~0.8 W
Program	Weekly program
Additional program	Extra/Holiday program

LUNA 121 top3 RC EL	
Time basis	Quartz/DCF77
Setting range brightness	1 – 99000 lx
Preset brightness value	15 lx
Switch-on delay	0 – 59 min
Switch-off delay	0 – 59 min
Type of contact	Changeover contact
Width	2 modules
Installation type	DIN rail

Subject to technical changes and misprints

additional information at: www.theben.de/product/1210230

The load data are determined with exemplary selected illuminants and are therefore typical data due to the large number of available products.

LUNA 121 top3 RC EL

Item no.: 1210230

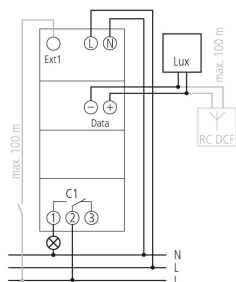
theben
energy saving comfort

Technical data

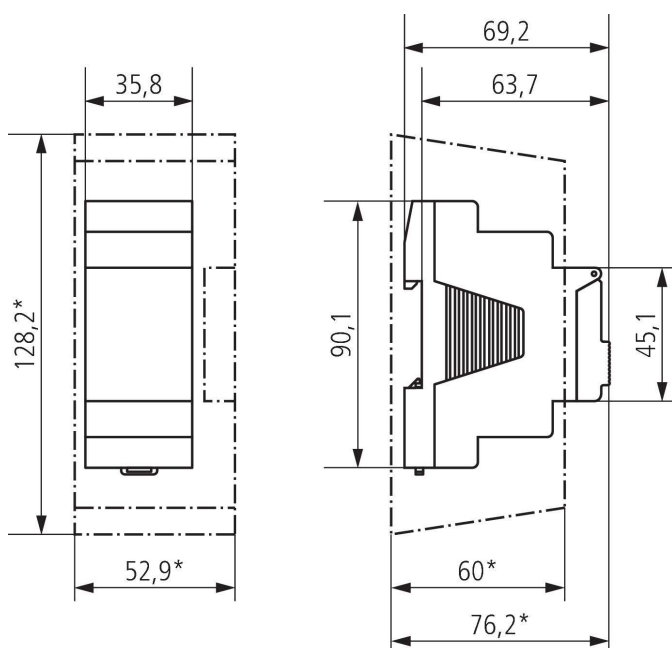
LUNA 121 top3 RC EL	
Type of connection	DuoFix spring terminals
Display	LCD-Display
Keyboards	4 touch buttons
Shortest switching times	1 min
Power reserve	10 years at 20 °C
Switching capacity	16 A at 250 V AC, $\cos \varphi = 1$, 10 A at 250 V AC, $\cos \varphi = 0.6$
Incandescent/halogen lamp load	2600 W
Halogen lamp load	2600 W
Fluorescent lamp load (conventional) not corrected	2600 VA

LUNA 121 top3 RC EL	
Fluorescent lamp load (conventional) parallel-corrected	130 μ F
LED lamp < 2 W	50 W
LED lamp 2-8 W	600 W
LED lamp > 8 W	600 W
Sensor (included)	Flush-mounted light sensor
Housing and insulation material	High-temperature resistant, self-extinguishing thermoplastic
Ambient temperature	-25°C ... 55°C
Type of protection	IP 20
Protection class	II, Sensor III
Max. cable length to sensor	100 m

Connection example



Scale drawings



Subject to technical changes and misprints

additional information at: www.theben.de/product/1210230

The load data are determined with exemplary selected illuminants and are therefore typical data due to the large number of available products.

26/02/2021

Page 2 of 3

LUNA 121 top3 RC EL

Item no.: 1210230

Accessories

Digital flush-mounted light sensor

Item no.: 9070456



Antenna RC-DCF

Item no.: 9070410



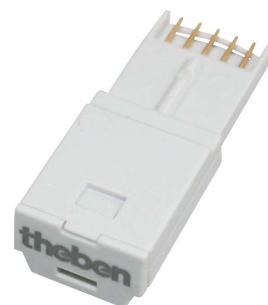
PC set OBELISK top2/3

Item no.: 9070409



Memory card OBELISK top2

Item no.: 9070404



Bluetooth OBELISK top3

Item no.: 9070130



Antenna RC-GNSS R

Item no.: 9070807



Antenna RC-GNSS

Item no.: 9070823

